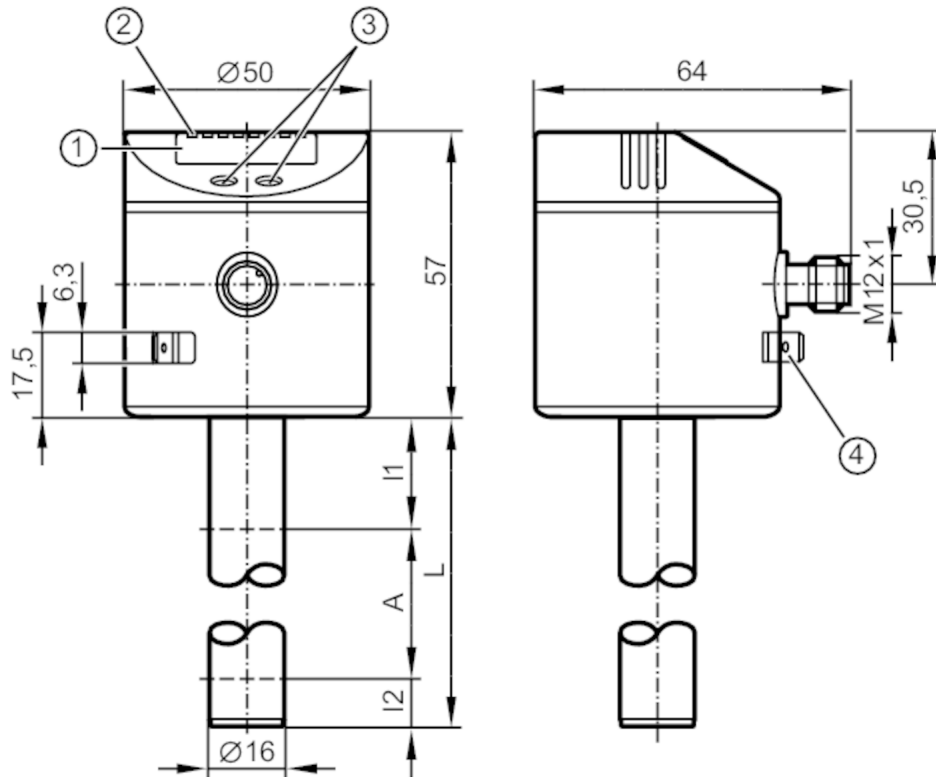


LK8124



Electronic level sensor

LK0728B-B-00KVPKG/US



- 1 alphanumeric display 4-digit
- 2 status LEDs
- 3 Programming buttons
- 4 housing connection flat-pin connector 6.3 mm DIN 46244



Product characteristics

| | |
|------------------------------|---|
| Number of inputs and outputs | Number of digital outputs: 4 |
| Factory setting | hydrous coolants; water; media similar to water |
| Probe length L [mm] | 728 |

Application

| | |
|---|--|
| Media | hydrous coolants; oils; oil-based media; water; media similar to water |
| Dielectric constant of the medium | > 2 |
| Cannot be used for | extremely conductive media; adhering media; granulates; bulk material; acids; alkali; hygienic areas and electroplating applications |
| Maximum speed of the change of level [mm/s] | 300 |
| Tank pressure [bar] | 0.5; (when mounting with mounting accessories: E43001 - E43007, E43019) |

Coolants

| | |
|-------------------------|--|
| Medium temperature [°C] | 0...35; (with climate tube E43102: 35...55 °C) |
|-------------------------|--|

Oil

| | |
|------------------------------------|-----------------|
| Medium temperature [°C] | 0...70 |
| Medium temperature short time [°C] | 0...90; (< 1 h) |

LK8124



Electronic level sensor

LK0728B-B-00KVPKG/US

| | |
|---|---|
| Water | |
| Medium temperature | [°C] 0...35; (with climate tube E43102 ; 35...55 °C) |
| Electrical data | |
| Operating voltage | [V] 18...30 DC |
| Current consumption | [mA] < 50 |
| Protection class | III |
| Reverse polarity protection | yes |
| Power-on delay time | [s] < 3 |
| Inputs / outputs | |
| Number of inputs and outputs | Number of digital outputs: 4 |
| Outputs | |
| Total number of outputs | 4 |
| Output signal | switching signal; IO-Link |
| Electrical design | PNP/NPN |
| Number of digital outputs | 4 |
| Output function | normally open / closed; (configurable) |
| Max. voltage drop switching output DC | [V] 2.5 |
| Permanent current rating of switching output DC | [mA] 200 |
| Short-circuit protection | yes |
| Type of short-circuit protection | thermal, pulsed |
| Overload protection | yes |
| Measuring/setting range | |
| Factory setting | hydrous coolants; water; media similar to water |
| Probe length L | [mm] 728 |
| Active range A | [mm] 585 |
| Inactive range I1 / I2 | [mm] 104 / 39 |
| Setting range | |
| Set point SP | [mm] 60...590 |
| Reset point rP | [mm] 50...580 |
| In steps of | [mm] 10 |
| Reference point OP | [mm] 200 - 240 - 280 - 310 - 350 - 390 - 420 - 460 - 500 - 530 - 570 - 610 - OFF |
| Hysteresis, OP | [mm] 4 |
| Accuracy / deviations | |
| Measuring error | ± 5 |
| [% of the final value] | |
| Repeatability | ± 2 |
| Resolution | [mm] 10 |
| Software / programming | |
| Parameter setting options | hysteresis / window; normally open / closed; switching logic; SP/rP position; adjustment OP; medium selection; offset setting; switch-on/switch-off delay |

LK8124



Electronic level sensor

LK0728B-B-00KVPKG/US

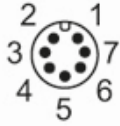
| Interfaces | | |
|-------------------------------|---|-------------------------------|
| Communication interface | IO-Link | |
| Transmission type | COM2 (38,4 kBaud) | |
| IO-Link revision | 1.1 | |
| SDCI standard | IEC 61131-9 | |
| IO-Link device ID | 0x000017 | |
| Profiles | Smart Sensor: Process Data Variable; Device Identification, Device Diagnosis | |
| SIO mode | yes | |
| Required master port class | A | |
| Process data analogue | 2 | |
| Process data binary | 4 | |
| Min. process cycle time [ms] | 3.2 | |
| Operating conditions | | |
| Ambient temperature [°C] | 0...60 | |
| Storage temperature [°C] | -25...80 | |
| Protection | IP 67 | |
| Tests / approvals | | |
| EMC | DIN EN 61000-6-2 | |
| | DIN EN 61000-6-4 | |
| Shock resistance | DIN EN 60068-2-27 | 15 g (11 ms) |
| Vibration resistance | DIN EN 60068-2-6 | 5 g (10...2000 Hz) |
| MTTF [years] | 227 | |
| Mechanical data | | |
| Weight [g] | 502.6 | |
| Dimensions [mm] | Ø 16 | |
| Material | stainless steel (1.4301 / 304); stainless steel (1.4404 / 316L); FKM; NBR; PBT; PC; PA; PP; TPV | |
| Materials (wetted parts) | PP | |
| Displays / operating elements | | |
| Display | Display unit | 2 x LED, green (cm, inch) |
| | Switching status | 4 x LED, yellow (OUT4...OUT1) |
| | Measured values | alphanumeric display, 4-digit |
| | Parameter setting | alphanumeric display, 4-digit |
| Remarks | | |
| Notes | For 8-wire cordsets the core colors are not standardized.; Please note the wiring of the sensor and the cordsets (see data sheet).; Please see the technical note under "Downloads" | |
| Pack quantity | 1 pcs. | |
| Electrical connection | | |
| Connector: 1 x M12 | | |

LK8124

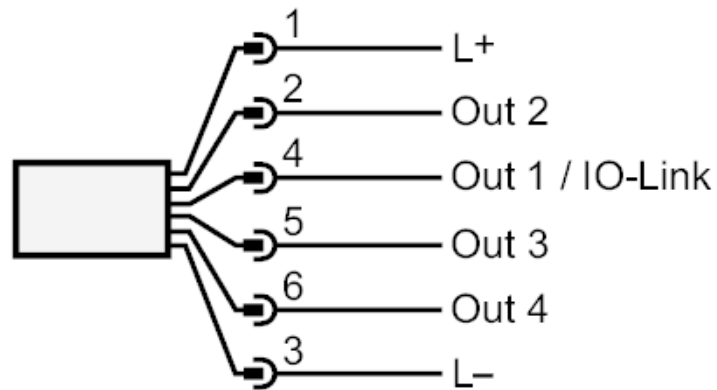


Electronic level sensor

LK0728B-B-00KVPKG/US



Connection



OUT1: Switching output IO-Link

OUT2...4: Switching output